



SchoolToilets.co.uk

Tel: 0845 170 1240

Fax: 0845 170 1241

Email: info@schooltoilets.co.uk

Contact _____

School _____

Tel _____

Fax _____

Delivery Address _____

Please use the layout grid on page 2 for any washroom / changing room sketches you may wish to send us

①

Cubicles:

Pre-School (Brecon)

Privacy (Zest)

Vandal-Resistant (Cairngorm)

Staff Toilets (Malvern)

Other (please state): _____

Cubicle Details:

No. of cubicles _____

Enclosed Corner Inline

Depth (1800mm max) _____

Wall-to-wall (mm) _____

Door colour _____

Partition colour _____

③

Wall Panel Systems:

Not required

Half height (1200mm)

Full height

Ceiling height _____

④

Vanity Units:

Inset type

Semi-Recessed type

Width _____

Height _____

②

Brecon Details:

For Brecon cubicles please complete page 3

⑤

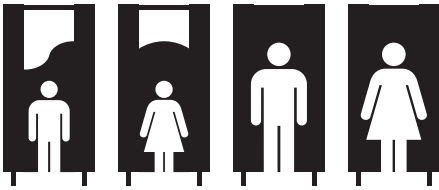
Sanitary ware and washroom accessories sold separately

Please list your **plumbware.co.uk** requirements below:

FOR OFFICE USE ONLY:

Date _____



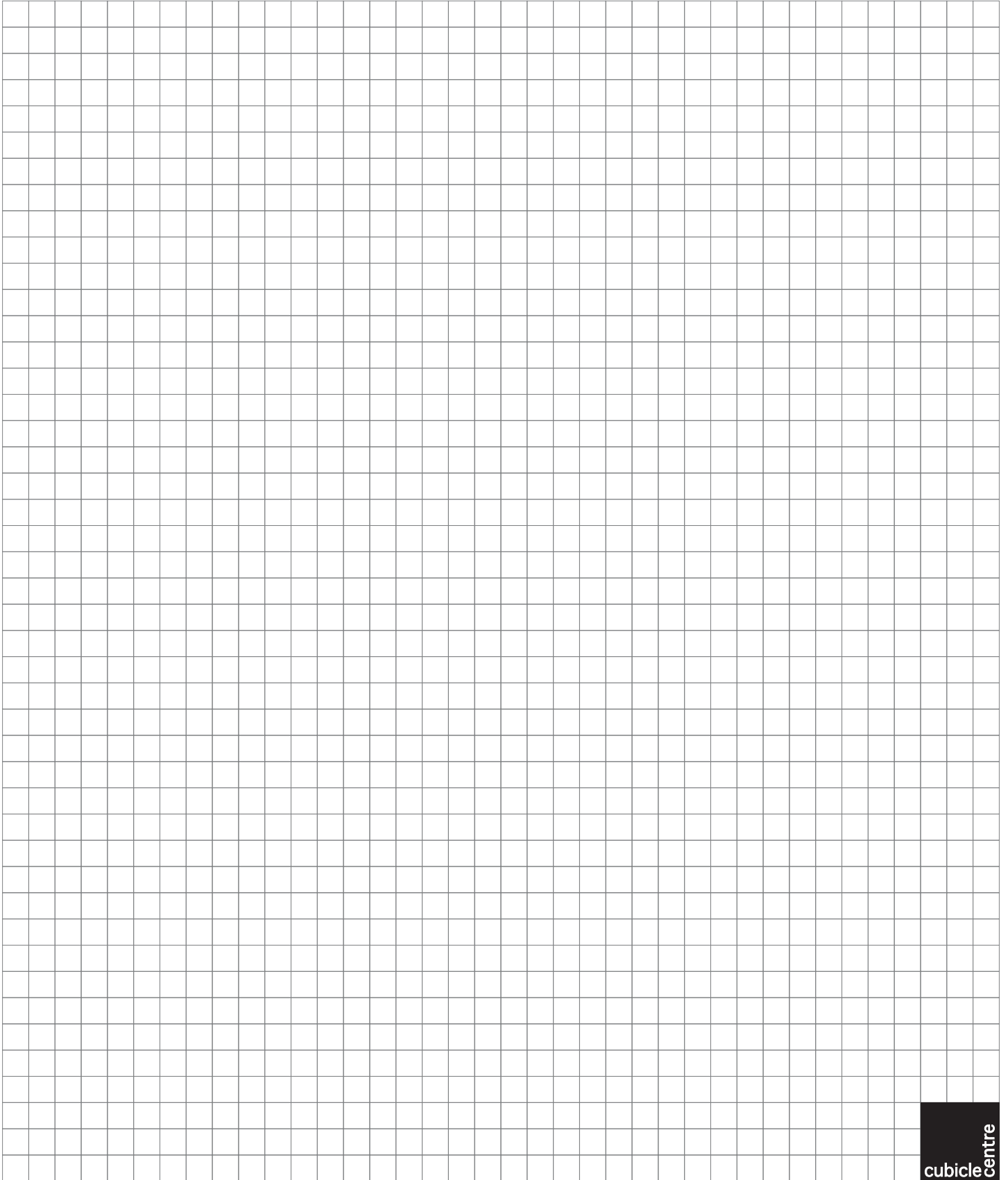


SchoolToilets.co.uk

Tel: 0845 170 1240

Fax: 0845 170 1241

Email: info@schooltoilets.co.uk



Recommended minimum cubicle sizes are 750mm (wide) x 1500mm (deep)

Brecon Toilet Cubicles




MFC (STANDARD) CGL

No. of toilet cubicles: _____


Specify: Enclosed Corner In-Line In-Line with Return

Depth (mm): _____ (1500mm STANDARD)


Wall to wall (mm): _____




Enclosed
(between walls)



Corner



In-Line



In-Line with Return

Doors

Door height (mm): 1500 1350 1200 (EXCLUDING REVERSE CURVE)

Door profile: Square Arch Reverse curve

Partitions

Partition height (mm): 1800 (STANDARD) 1500 1350 1200 Curved profile only

Partition profile: Square (STANDARD) Curved

Hardware Multi-coloured (STANDARD) SAA finish

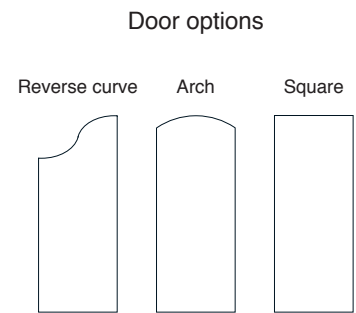
Colour options

Doors: _____

Pilasters: _____

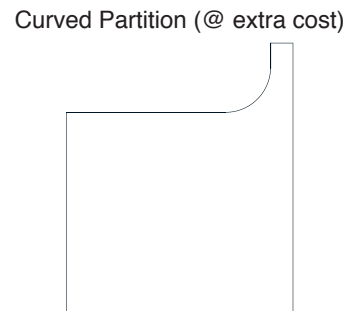
Partitions: _____

Edging: Contrasting Matching



Sticker options

	Quantity
Fish: Yellow <input type="checkbox"/> Blue <input type="checkbox"/>	_____
Starfish: Yellow <input type="checkbox"/>	_____
Seahorse: Yellow <input type="checkbox"/> Red <input type="checkbox"/>	_____



FAXBACK TO: 0845 170 1241